

# OLYMPIAN™

Exclusively from your Caterpillar® dealer



Enclosure pictured may include optional accessories

## SOUND ATTENUATED ENCLOSURES

### GEP7.5SP2 – GEP22-4 Range

These fully weatherproof sound attenuated CAE enclosures reduce sound levels to comply with the stage 2 levels of the European Community Directive 2000/14/EC which became effective 3 January 2006.

These enclosures incorporate internally mounted exhaust silencers and are of extremely rugged construction in order to withstand the rough handling common on many construction sites. The panel is viewed through a hinged perspex window.

## FEATURES

### ROBUST/HIGHLY CORROSION RESISTANT CONSTRUCTION

- Stainless steel locks
- Black zinc die cast hinges on gullwing doors tested and proven to withstand extremely corrosive conditions
- Zinc plated or stainless steel fasteners and hinges
- Body made from steel components pre-treated with zinc phosphate prior to polyester powder coating

### EXCELLENT ACCESS FOR MAINTENANCE

- Top hung gullwing doors
- Hinged and lockable end panels
- Radiator fill access through radiator end panel

- Lube oil drain piped to exterior of the canopy

### SECURITY AND SAFETY

- Perspex Control panel viewing window in a lockable access door
- Emergency stop button mounted on canopy exterior
- End panels secured by internal latches with safety retainer
- Cooling fan and battery charging alternator fully guarded
- Fuel fill and battery can only be reached via lockable access doors
- Exhaust silencing system enclosed for operator safety

### TRANSPORTABILITY

- Tested and certified single point lifting facility

### OPTIONAL FEATURE

- Lockable vandal proof cover in place of window

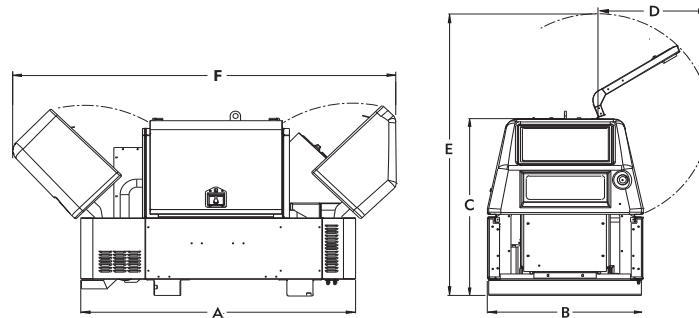
Exclusively from your Caterpillar® dealer

## SOUND PRESSURE LEVELS (dBA)

Generating Set Model	LWA	50 Hz @ 1500 RPM						60 Hz @ 1800 RPM					
		15 m		7 m		1 m		15 m		7 m		1 m	
		75% Load	100% Load	75% Load	100% Load	75% Load	100% Load	75% Load	100% Load	75% Load	100% Load	75% Load	100% Load
GEP7.5SP2* Prime	-	57.2	57.9	63.2	63.9	70.5	71.4	61.1	61.9	67.1	67.9	75.0	76.1
GEP7.5SP2* Standby	-	57.5	58.3	63.5	64.3	70.8	71.7	61.4	62.3	67.4	68.3	75.4	76.6
GEP9.5-2* Prime	-	57.2	57.9	63.2	63.9	70.5	71.4	61.1	61.9	67.1	67.9	75.0	76.1
GEP9.5-2* Standby	-	57.5	58.3	63.5	64.3	70.8	71.7	61.4	62.3	67.4	68.3	75.4	76.6
GEP13.5-4 Prime	90	59.7	61.0	65.7	67.0	75.4	76.7	61.3	63.2	67.3	69.2	77.2	79.4
GEP13.5-4 Standby	90	60.1	61.5	66.1	67.5	75.8	77.2	61.7	64.0	67.7	70.0	77.7	80.2
GEP18-4 Prime	91	58.6	60.1	64.6	66.1	73.5	74.9	60.7	61.6	66.7	67.6	75.5	76.4
GEP18-4 Standby	91	59.0	60.7	65.0	66.7	73.8	75.5	60.9	62.1	66.9	68.1	75.7	76.8
GEP22-4 Prime	91	59.5	61.6	65.5	67.6	74.3	76.4	61.1	62.5	67.1	68.5	75.9	77.2
GEP22-4 Standby	91	60.1	62.6	66.1	68.6	74.9	77.5	61.5	63.3	67.5	69.3	76.2	78.0
GEP11SP4 Prime	90	59.7	61.0	65.7	67.0	75.4	76.7	61.3	63.2	67.3	69.2	77.2	79.4
GEP11SP4 Standby	90	60.1	61.5	66.1	67.5	75.8	77.2	61.7	59.8	67.7	70.0	77.7	80.2
GEP14SP4 Prime	91	58.6	60.0	64.6	66.0	73.4	74.8	60.7	61.6	66.7	67.6	75.5	76.4
GEP14SP4 Standby	91	58.9	60.5	64.9	66.5	73.7	75.3	60.9	62.1	66.9	68.1	75.7	76.8
GEP16SP4 Prime	91	59.2	61.0	65.2	67.0	74.0	75.8	61.1	62.5	67.1	68.5	75.9	77.2
GEP16SP4 Standby	91	59.7	61.9	65.7	67.9	74.5	76.8	61.5	63.3	67.5	69.3	76.2	78.0

\*LWA figures not recorded as models are not available in the EU.

## DIMENSIONS AND WEIGHTS



Generating Set Model	A: mm (in)	B: mm (in)	C: mm (in)	D: mm (in)	E*: mm (in)	F: mm (in)	Fuel Capacity: l (US gal)	Weight: kg (lb)
GEP7.5SP2	1593 (62.7)	900 (35.4)	1275 (50.2)	840 (33.1)	1878 (73.9)	2228 (87.7)	45 (12)	521 (1148)
GEP9.5-2	1593 (62.7)	900 (35.4)	1275 (50.2)	840 (33.1)	1878 (73.9)	2228 (87.7)	45 (12)	521 (1148)
GEP13.5-4	1593 (62.7)	900 (35.4)	1275 (50.2)	840 (33.1)	1878 (73.9)	2228 (87.7)	45 (12)	580 (1279)
GEP18-4	1593 (62.7)	900 (35.4)	1275 (50.2)	840 (33.1)	1878 (73.9)	2228 (87.7)	45 (12)	641 (1413)
GEP22-4	1593 (62.7)	900 (35.4)	1275 (50.2)	840 (33.1)	1878 (73.9)	2228 (87.7)	45 (12)	654 (1442)
GEP11SP4	1593 (62.7)	900 (35.4)	1275 (50.2)	840 (33.1)	1878 (73.9)	2228 (87.7)	45 (12)	580 (1279)
GEP14SP4	1593 (62.7)	900 (35.4)	1275 (50.2)	840 (33.1)	1878 (73.9)	2228 (87.7)	45 (12)	641 (1413)
GEP16SP4	1593 (62.7)	900 (35.4)	1275 (50.2)	840 (33.1)	1878 (73.9)	2228 (87.7)	45 (12)	654 (1442)

Net weight with lube oil, no coolant, no fuel.  
Clearance required both sides.

Information contained in this publication may be considered confidential.  
Discretion is recommended when distributing.

www.CAT-ElectricPower.com

Market: International

Materials and specifications are subject to change without notice.

LEHF3054-10 (07/09)

CAT, CATERPILLAR, OLYMPIAN, their respective logos and "Caterpillar Yellow", as well as corporate and product identity used herein, are trademarks of Caterpillar and may not be used without permission.

© 2009 Caterpillar  
All rights reserved.  
Printed in U.S.A.