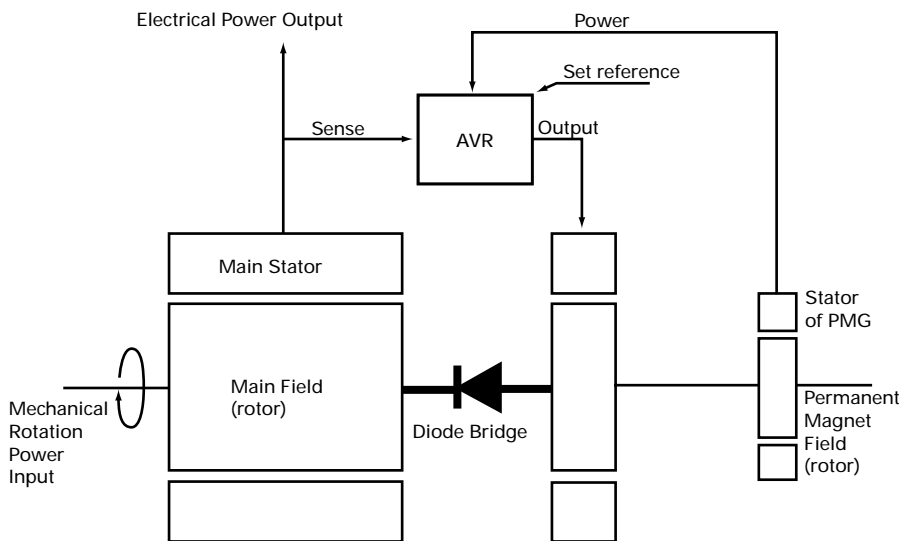


## AVR12 – PERMANENT MAGNET GENERATOR

The permanent magnet generator (PMG) option upgrades the excitation system of the generator from the standard self-excited system to a separately-excited system. The PMG couples to the non-drive end of the generator and provides an independent source of excitation power that ensures initial voltage build-up. The PMG improves the voltage response of the generator during transient load application, such as motor starting, and provides a sustained short-circuit current for the operation of protective devices. Isolation of the excitation power ensures that regulation is not affected by non-linear distorting loads.



BLOCK DIAGRAM OF PMG

[www.CAT-ElectricPower.com](http://www.CAT-ElectricPower.com)

© 2003 Caterpillar  
All rights reserved.  
Printed in U.S.A.

LEHX0477-03 (10-03)

Materials and specifications are subject to change without notice.  
The International System of Units (SI) is used in this publication.

