

Exclusively from your Cat® dealer



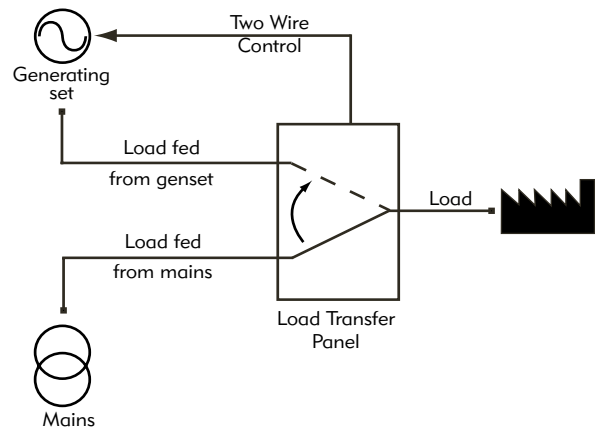
CTI RANGE Load Transfer Panel

Olympian Generating Sets introduces a new range of intelligent load transfer panels. The CTI load transfer panel provides you with the assurance that when the utility power fails, power will automatically be transferred to the building load from the mains to the generating set.

FEATURES

CONTROLS

- The ability to select between contactor and switch mode, allowing you to protect the electricity load and set the CTI load transfer panel to the mode which best suits the application.
- A highly visible and user-friendly digital display allowing information to be read with minimal scrolling.
- Fast acting switch, reducing transfer times between generating set and utility power.
- Pre-programmed, allowing the panel to run on installation with the ability to customise if necessary.



Exclusively from your Cat® dealer

FEATURES

- **Wall Mounted**
- **Status Indication**
 - Utility power available
 - Utility power on load
 - Generating set available /
 - Generating set on load
 - Utility power and generating set off load
 - Manual mode / Automatic mode
 - Test on load / Test off load
 - Manual re-transfer enabled / required
 - Power / Error indication (LED)
- **Facia**
 - Symbolic icons to allow for multiple languages
- **Mechanically Held Switch**
 - Facility for manual changeover
- **Liquid Crystal Display (LCD)**
 - Utility power L1-2, L1-3, L2-3 voltage
 - Utility power L1-N, L2-N, L3-N voltage
 - Generating set L1-N, L2-N, L3-N voltage
 - Generating set L1-2, L1-3, L2-3 voltage
 - Utility power frequency /
 - Generating set frequency
 - Number of times switch transfers from mains to generating set
 - Timer settings

- **Selection between contactor or switch mode**
- **Standards**
 - Complete enclosure meets standard IEC 60947-6-1
 - Switch meets standard AC31B
- **Controls**
 - Under / over frequency failure
 - Under / over frequency restoration
 - Manual / auto re-transfer
 - Mode select push button
 - Under / over volts failure
 - Under / over volts restoration
 - Delay on start timer
 - Delay on transfer
 - Delay on re-transfer
 - Dead band timer
 - Run on timer
 - Auto / manual control keyswitch
 - Lamp test pushbutton
 - Padlock facility
- **Top and Bottom Cable Entry**

OPTIONAL FEATURES

- **TAUX Auxiliary Contacts** for switch position, padlocking and auto / manual.
- **VST Voltage Sensing Tap** allowing for pole voltage sensing.
- **TLNK Solid Neutral Kit** to connect neutral cables from the mains, generating set and load.
- **TIP1 Terminal Shroud** for added protection.
- **TLPR Lightning Protection** ensuring the safety of system during lightning storms.
- **TIP5 Ingress Protection IP54** protection for the control module.
- **TELT Load Terminal Extension** improving ease of installation.

CTI-DIMENSIONS

Model	Rating Amps	A mm (in)	B mm (in)	C mm (in)	Weight kg
CTI 63	63 A	600 (23.6)	400 (15.7)	200 (7.9)	19.0 (41.8)
CTI 100	100 A	600 (23.6)	400 (15.7)	200 (7.9)	19.0 (41.8)
CTI 125	125 A	600 (23.6)	400 (15.7)	200 (7.9)	19.0 (41.8)
CTI 160	160 A	600 (23.6)	400 (15.7)	200 (7.9)	19.0 (41.8)

